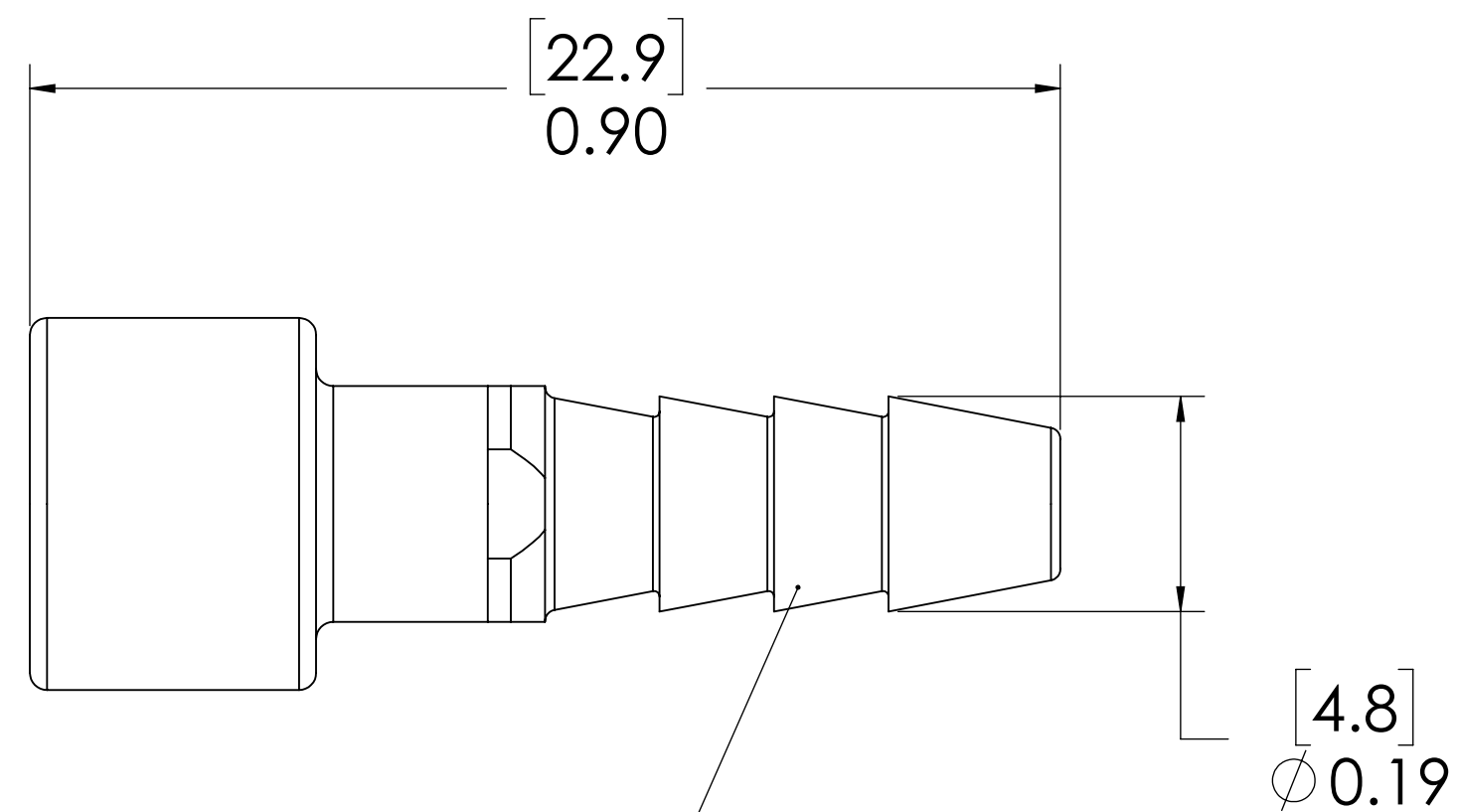
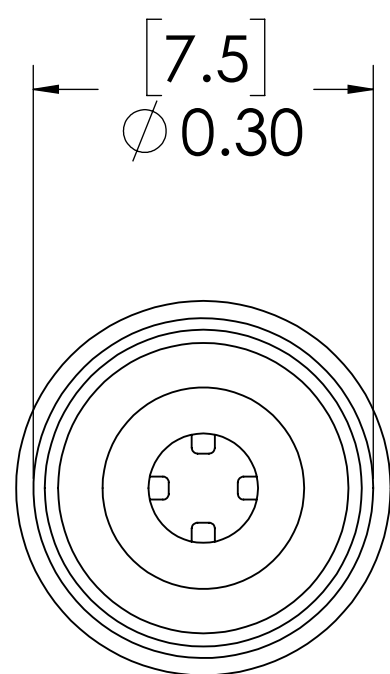
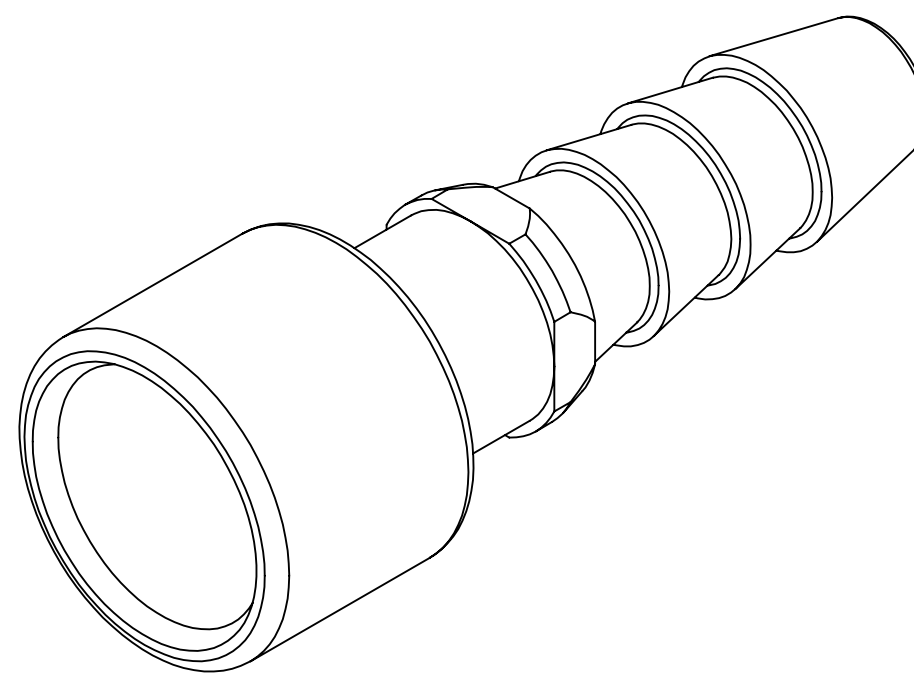



REVISIONS						
SHEET	ZONE	REV.	ECO	DESCRIPTION	DATE	APPROVED
1	ALL	NC	50047	INITIAL RELEASE	6/11/2013	HRC
1	ALL	A	50253	UPDATE DWG TO CURRENT FORMAT & STANDARDS	10/30/2018	HRC



1/8" TUBE ID

- NOTES:**
- MATERIAL: ACETAL
 - COLOR: NATURAL WHITE

FOR REFERENCE ONLY

<small>UNLESS OTHERWISE SPECIFIED: DIMENSIONS ARE IN INCHES TOLERANCES: FRACTIONAL ± 1/32 ANGULAR: MACH ± 0.5 BEND ± 2 ONE PLACE DECIMAL ± 0.1 TWO PLACE DECIMAL ± 0.01 THREE PLACE DECIMAL ± 0.005 TWO PLACE DUAL (mm) [± 0.12]</small>	<small>DRAWN</small> LMP	<small>DATE</small> 4/26/2018	 PART NO: 10AC-S2-02NS <small>DESCRIPTION:</small> LinkTech 10AC Series, Inline Socket, Non-Valved, 1/8" HB, No Sleeve	
	<small>CHECKED</small> HRC	<small>DATE</small> 4/26/2018		
	<small>ENG APPR.</small> HRC	<small>DATE</small> 10/30/18		
	<small>MFG APPR.</small> BDB	<small>DATE</small> 10/30/18		
<small>PRODUCTION</small> LS	<small>DATE</small> 10/30/18	<small>SIZE</small> C	<small>DWG. NO.</small> 10AC100047	<small>REV</small> A
<small>PROPRIETARY AND CONFIDENTIAL</small> <small>THE INFORMATION CONTAINED IN THIS DRAWING IS THE SOLE PROPERTY OF LINKTECH LLC. ANY REPRODUCTION OR DISCLOSURE IN PART OR AS A WHOLE WITHOUT THE WRITTEN PERMISSION OF LINKTECH LLC IS STRICTLY PROHIBITED.</small>	<small>COMMENTS:</small>	<small>SCALE: NTS</small>	<small>WEIGHT:</small>	<small>SHEET 1 OF 1</small>